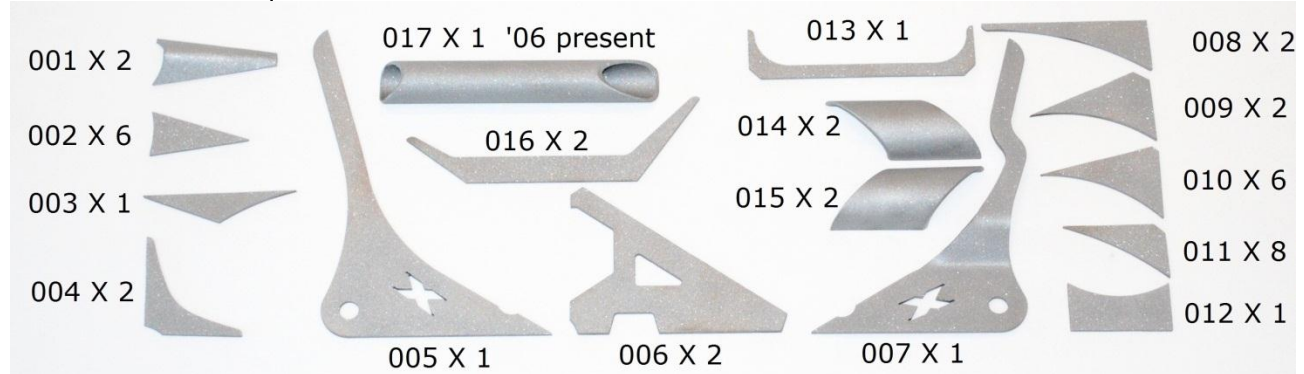


# TEIXEIRA TECH .com

Thank you for purchasing our Honda TRX450R Chassis DZ Gusset Kit for your OEM Frame. Below are pictures with locations of the pieces in your kit. Teixeira Tech recommends that the installation of the kit be done by a professional welder for the best results.

Part numbers and quantities:



Part #	Special Instructions
001	Position in line with upright frame rail
004	Position with shorter side weld to shock mount
005	Weld in place using Sub-Frame for spacing
006	Cutout on rear foot peg rail is used for ATV stand with hooks
007	Using Sub-Frame for spacing, start welding the rear portion of gusset. Manipulate forward portion of gusset to avoid conflict with kick starter and plastics
008	Rear fender support gussets
010	Position to outside of frame so as not to interfere with steering stabilizers
012	Mounted under the upper frame steering stem bracket
014 & 015	Overlap frame seems. Pieces on upper frame rail should be welded to motor mounts.
016	Tack in place and then bend top leg over to lay on stem support hoop
017	Only used on 2006 and newer models
○	Recommended additional welding is circled in <b>BLUE</b> .

