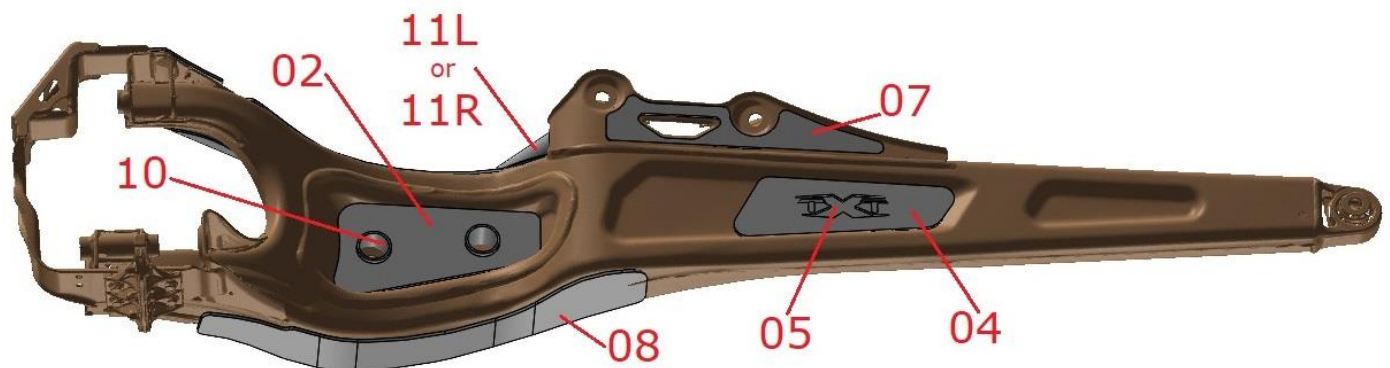


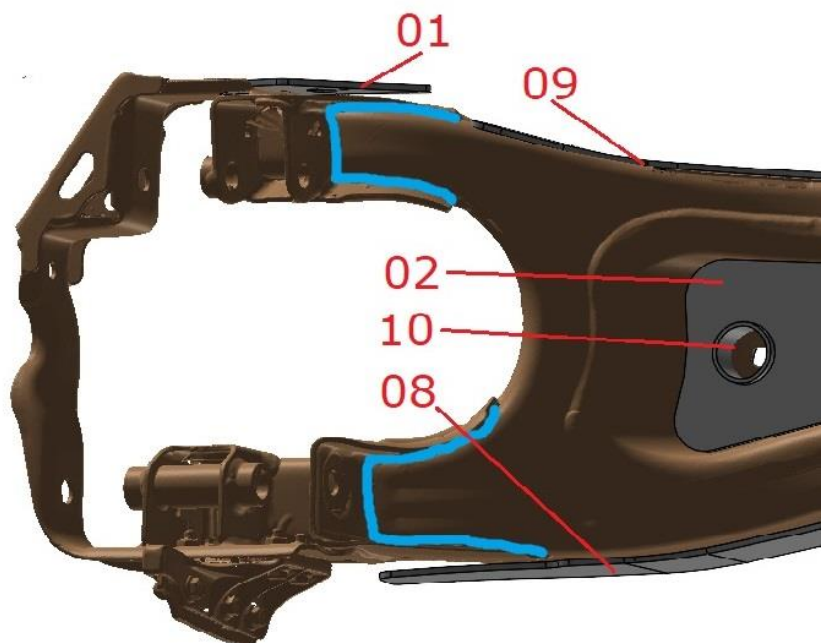
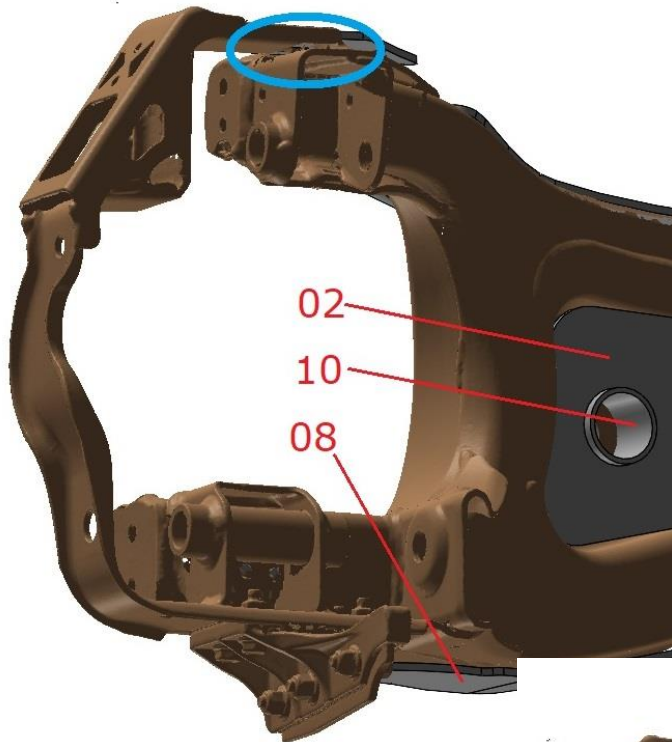
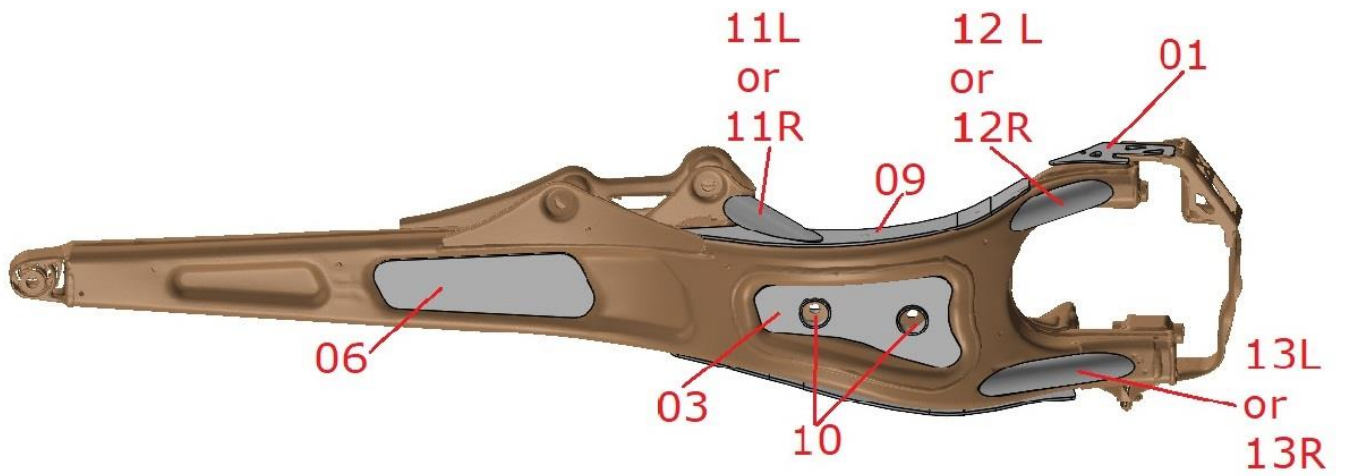


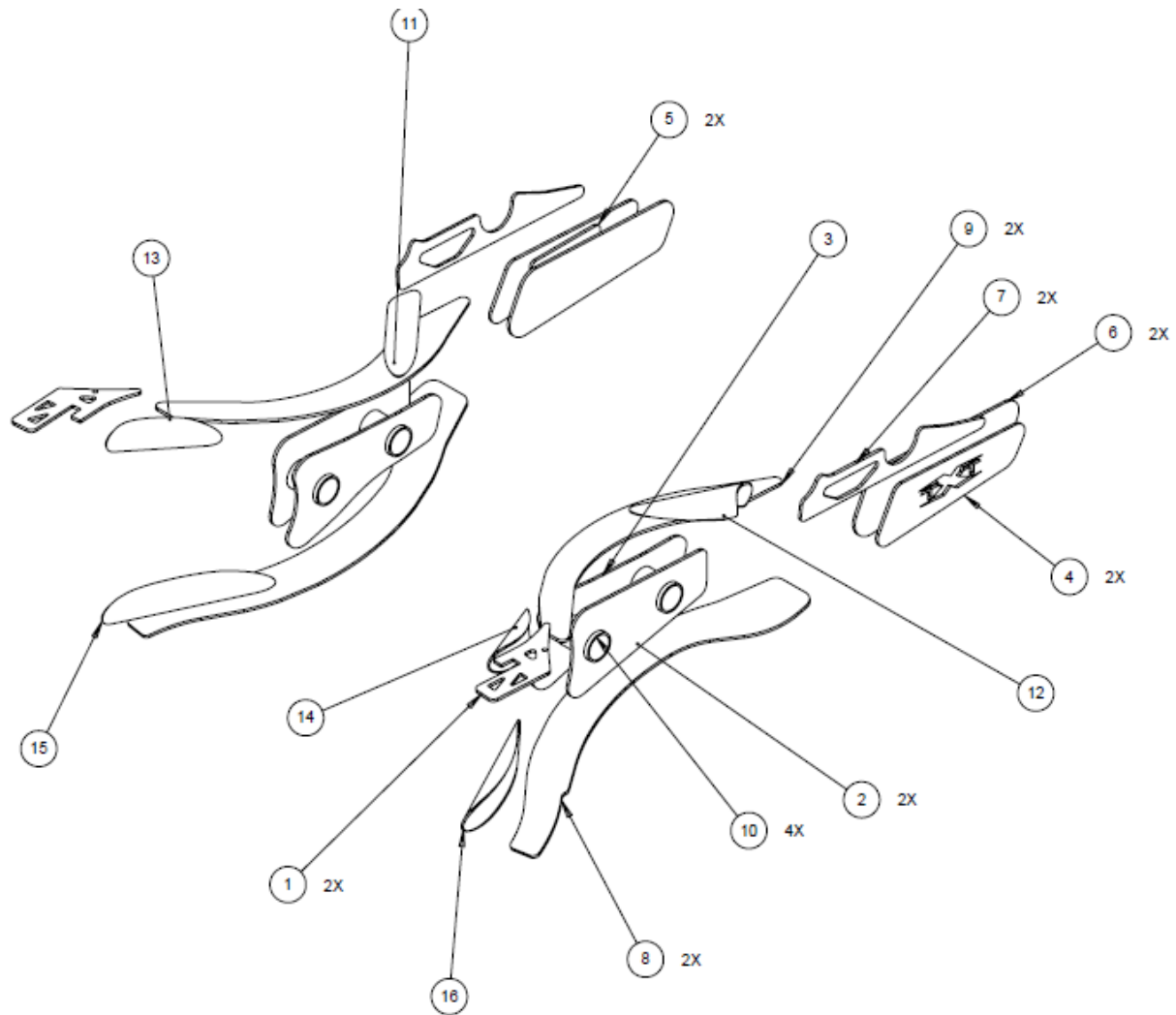
Thank you for purchasing our **Can-Am Maverick X3 64" Trailing Arm Gusset Kit** for your OEM trailing arms. Below are pictures with locations of the pieces in your kit. Teixeira Tech recommends that the installation of the kit be done by a professional welder for the best results.

Place gussets into illustrated locations and trace with a marker for paint removal. Remove all paint within 1/2" of marker for welding. Tack weld all gussets into position before continuing. Now start welding gussets either by TIG or MIG welding. Move around both trailing arms so as to let the material cool down in between welds. Weld a gusset on one trailing arm and move to the opposite trailing arm. Then come back and weld another gusset in another location on the first trailing arm.

| Part # | Special Instructions |
|---------|--|
| 02 | Position in best fitting location and tack weld in place. Then drill with 1-1/4" hole saw through trailing arm to make room for gussets #10. |
| 03 | Position for best fitting location and tack weld. If gussets #02 and #03 don't line for tubes #10, use hole saw from opposite side to line up for tubes. It is acceptable to enlarge holes in trailing arm to fit tubes. |
| 10 | Insert and tack weld in place. |
| 08 & 09 | Grind factory weld down some if overly large. Tack weld on 1 end and use C-Clamps to manipulate into place. Tack roughly every 1-1/2" to 2" before fully welding. |
| ALL | Use clamps to contour gussets into position for best welding. |
| ○ | Recommended additional welding is circled or outlined in BLUE . |







| ITEM NO. | PART NUMBER | DESCRIPTION | QTY. |
|----------|------------------|--------------------------|------|
| 1 | 6056-0201-LP01 | PLATE 1 | 2 |
| 2 | 6056-0201-LP02 | PLATE 2 | 2 |
| 3 | 6056-0201-LP03 | PLATE 3 | 2 |
| 4 | 6056-0201-LP04 | PLATE 4 | 2 |
| 5 | 6056-0201-LP05 | PLATE 5 | 2 |
| 6 | 6056-0201-LP06 | PLATE 6 | 2 |
| 7 | 6056-0201-LP07 | PLATE 7 | 2 |
| 8 | 6056-0201-LP08 | PLATE 8 | 2 |
| 9 | 6056-0201-LP09 | PLATE 9 | 2 |
| 10 | 6056-0201-LP10 | TUBE 1 | 4 |
| 11 | 6056-0201-LP11-L | SHOCK TUBE GUSSET LEFT | 1 |
| 12 | 6056-0201-LP11-R | SHOCK TUBE GUSSET RIGHT | 1 |
| 13 | 6056-0201-LP12-L | TOP TUBE GUSSET LEFT | 1 |
| 14 | 6056-0201-LP12-R | TOP TUBE GUSSET RIGHT | 1 |
| 15 | 6056-0201-LP13-L | BOTTOM TUBE GUSSET LEFT | 1 |
| 16 | 6056-0201-LP13-R | BOTTOM TUBE GUSSET RIGHT | 1 |